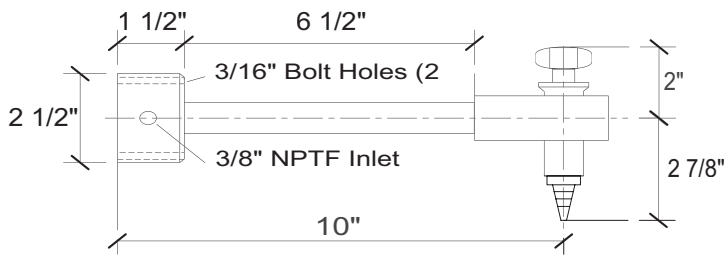
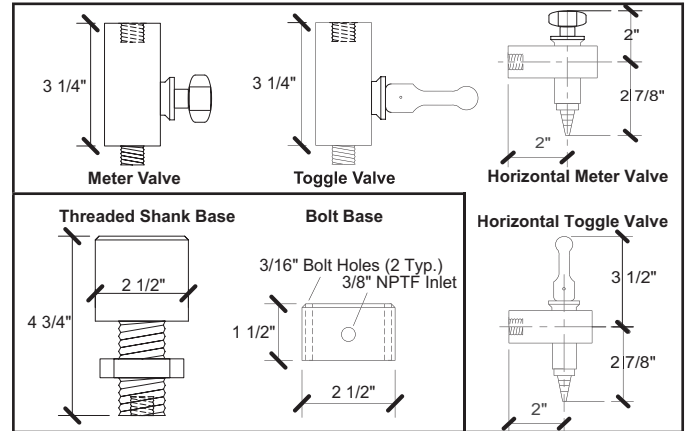


PICOTAP[®] FAUCETS



Horizontal, bolt base, meter valve. (04308)

VALVE AND BASE OPTIONS*:



HORIZONTAL

- Horizontal faucets available in bolt base, threaded shank base and through the wall styles.
- Meter valve handle for flow control (pictured*) or self-closing toggle valve for variable control with hand pressure.
- Ultra high molecular weight polyethylene and polypropylene construction for high purity. Far superior to PVC and other plastic faucets which leach organic compounds. Non-breakable construction.
- No additives, glues, or pipe sealants used which may leach contaminants.
- Patented diaphragm valve which is non-particulating.
- All faucets pressure tested to prevent leakage.
- 3/8" (bolt base) and 1/2" (threaded shank) NPTF standard. Other fittings available.
- Competitive pricing on all models.

800.950.PICO

www.hydroservice.com

CORPORATE OFFICES:

PO BOX 12197, Research Triangle Park, NC 27709

DIVISION OFFICES:

Raleigh/Durham, NC
Rockville, MD
Pennsylvania

919.361.5188
301.770.2120
215.547.0332

New Jersey
Massachusetts
Connecticut

973.926.0203
781.337.1203
203.265.3995

Complete Line of Laboratory Water Purification Systems:

From point-of-use systems providing Type I water from the tap to complete central systems, HYDRO can design what you need to meet the purity standards you require.