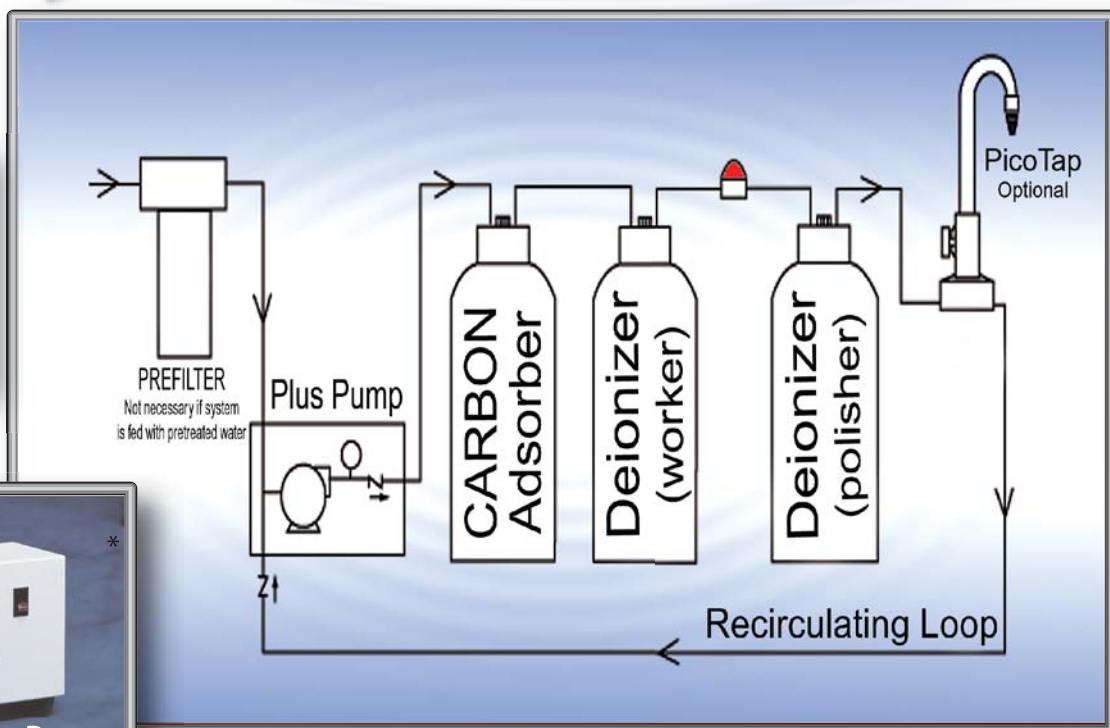


# Picosystem<sup>®</sup> Plus



## Laboratory Uses:

HPLC > 254nm, MS, ICP-MS, USP Purified, Fluorimetry, Ion Chromatography and Electrophoresis

## Performance

- 18 megohm-cm resistivity
- Less than 20 ppb Total Organic Carbon (TOC)
- Less than 10 CFU/mL bacteria
- Less than 0.1 CFU/mL bacteria with capsule post filter

## Description

- One 10" polypropylene filter housing\*
- One 10" X 0.2 micron prefilter cartridge\*
- One 6" X 18" organic adsorption (bituminous activated carbon) tank
- One 6" X 18" mixed bed resin tank (worker)
- One 5 megohm resistivity cell light
- One 6" X 18" mixed bed resin tank (polisher)
- One Plus Pump for recirculation
- One recirculating Picotap Laboratory Faucet (optional)



## CORPORATE OFFICES:

PO BOX 12197, Research Triangle Park, NC 27709 800.950.7426

[www.hydroservice.com](http://www.hydroservice.com)

## DIVISION OFFICES:

Raleigh/Durham, NC  
Rockville, MD  
Pennsylvania

919.361.5188  
301.770.2120  
215.547.0332

New Jersey  
Massachusetts  
Connecticut

973.926.0203  
781.337.1203  
203.265.3995