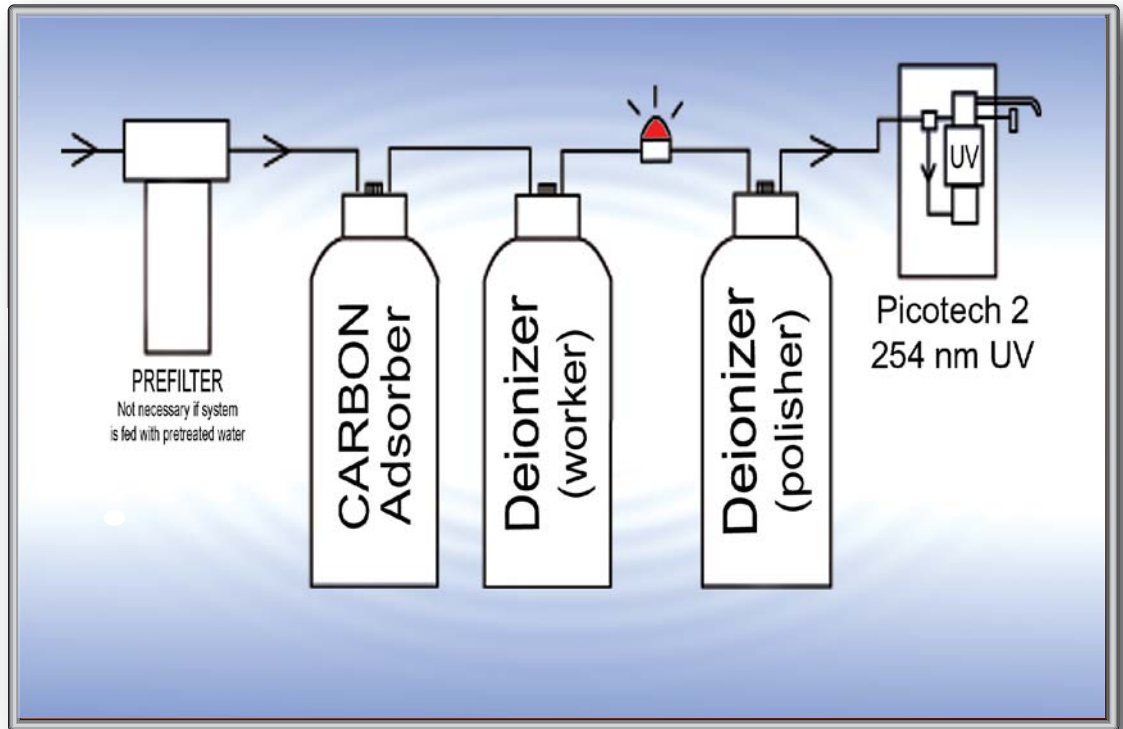


Picotech[®] 2



Laboratory Uses:

Biochemical Oxygen Demand, CAP, Clinical Applications

Performance

- 18 megohm-cm resistivity
- Less than 35 ppb Total Organic Carbon (TOC)
- Less than 0.1 CFU/mL bacteria

Description

- One 10" polypropylene filter housing*
- One 10" X 0.2 micron prefilter cartridge*
- One 6" X 18" organic adsorption (bituminous activated carbon) tank
- One 6" X 18" mixed bed resin tank (worker)
- One 5 megohm resistivity cell light
- One 6" X 18" mixed bed resin tank (polisher)
- One Picotech 2 Laboratory Faucet



CORPORATE OFFICES:

PO BOX 12197, Research Triangle Park, NC 27709 800.950.7426

www.hydroservice.com

DIVISION OFFICES:

Raleigh/Durham, NC
Rockville, MD
Pennsylvania

919.361.5188
301.770.2120
215.547.0332

New Jersey
Massachusetts
Connecticut

973.926.0203
781.337.1203
203.265.3995