

# Picotap® Laboratory Faucets Block Style Recirculating



Service and Supplies

Specialists in  
**Ultrapure Water**  
since 1967

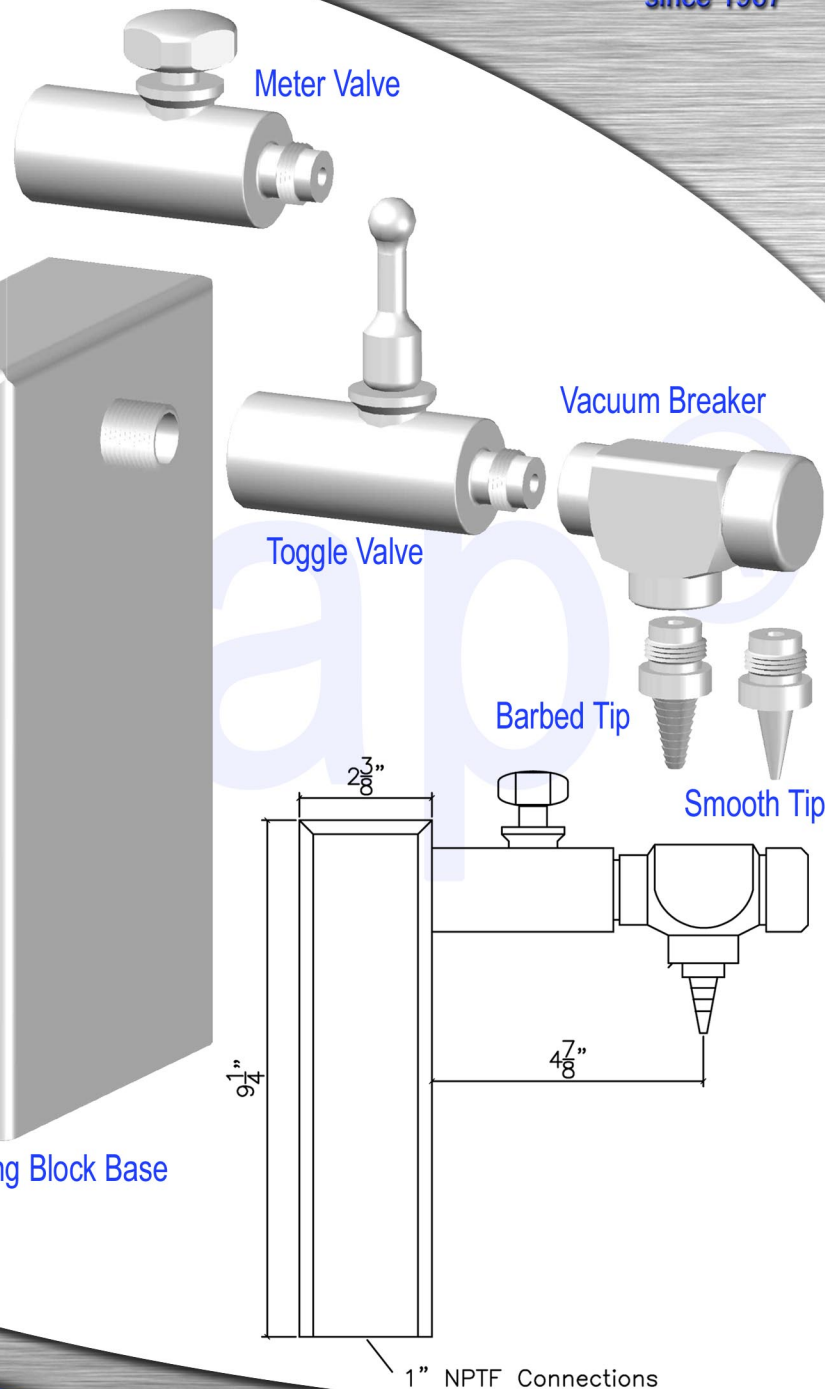
## Description

- Designed for complete recirculation without dead leg or pressure drop.
- Ideal for recirculating DI/POU systems.
- Available as a bolt base style only.
- Available with meter valve for flow control or self-closing toggle valve for variable control with hand pressure.
- Includes vacuum breaker to prevent backflow contamination.
- Available with barbed or smooth tips.
- Constructed of ultra high molecular weight (UHMW) polyethylene and polypropylene for high purity. No glues, sealants, pigments or other additives are used.
- Meter and toggle valves have a patented non-particulating diaphragm.
- All faucets are pressure tested to prevent leakage.
- All faucet fittings are NPTF standard. Other fittings available.
- Competitive pricing on all models.

## Block Style Recirculating Faucet with Toggle Valve



Recirculating Block Base



## Applications

Pharmaceutical  
Biotech  
Research  
Academic  
Medical  
Industrial

[www.hydroservice.com](http://www.hydroservice.com)  
1-800-950-7426

**Durham, NC**  
North & South Carolina  
Southern Virginia  
Georgia  
919-361-5188  
1-877-924-9376

**Gaithersburg, MD**  
Maryland, Washington DC  
Southern Delaware  
Northern Virginia  
301-770-2120  
1-888-855-0880

**Levittown, PA**  
Pennsylvania  
Southern New Jersey  
Northern Delaware  
215-547-0332  
1-888-848-6226

**Garfield, NJ**  
New Jersey  
New York  
973-777-3363  
1-888-853-1222

**Wallingford, CT**  
Connecticut  
Massachusetts  
The Northeast  
203-265-3995  
1-866-302-2014