

Picotap® Laboratory Faucets Gooseneck Recirculating



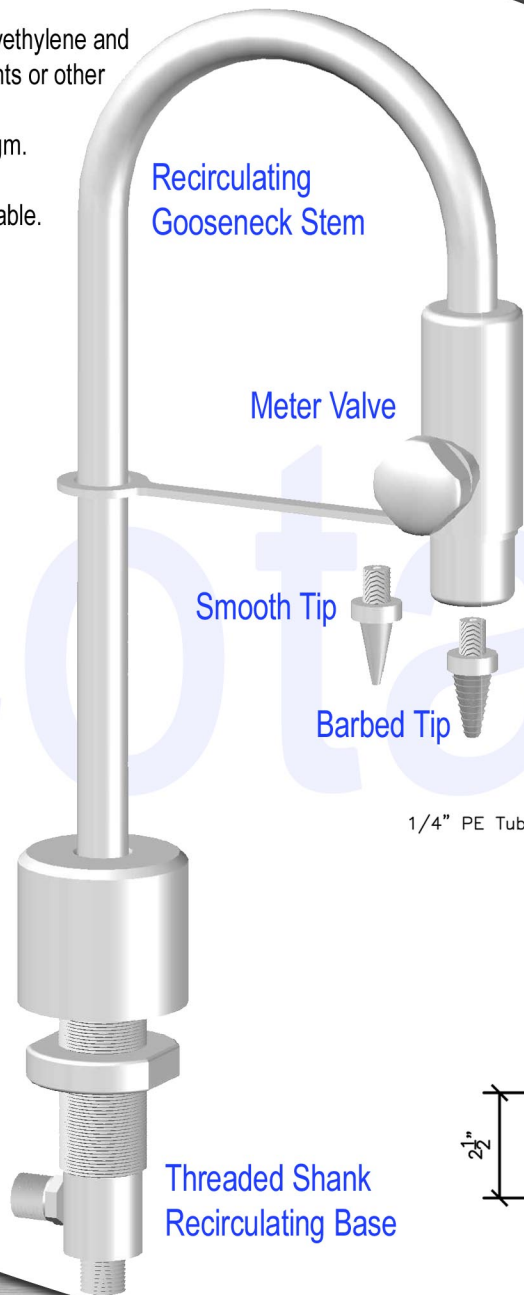
Specialists in
Ultrapure Water
since 1967

Description

- Available with threaded shank base only.
- Available with meter valve for flow control.
- Available with barbed or smooth tips.
- Constructed of ultra high molecular weight (UHMW) polyethylene and polypropylene for high purity. No glues, sealants, pigments or other additives are used.
- Meter valves have a patented non-particulating diaphragm.
- All faucets are pressure tested to prevent leakage.
- All faucet fittings are NPTF standard. Other fittings available.
- Competitive pricing on all models.



Recirculating
Gooseneck Faucet



Recirculating
Gooseneck Stem

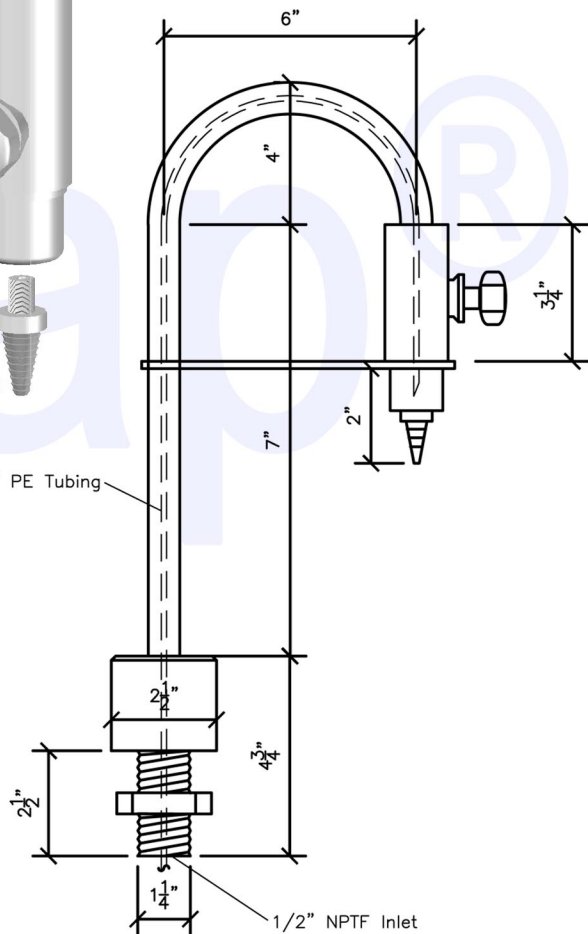
Meter Valve

Smooth Tip

Barbed Tip

1/4" PE Tubing

Threaded Shank
Recirculating Base



Applications

- Pharmaceutical
- Biotech
- Research
- Academic
- Medical
- Industrial

www.hydroservice.com
1-800-950-7426

Durham, NC
North & South Carolina
Southern Virginia
Georgia
919-361-5188
1-877-924-9376

Gaithersburg, MD
Maryland, Washington DC
Southern Delaware
Northern Virginia
301-770-2120
1-888-855-0880

Levittown, PA
Pennsylvania
Southern New Jersey
Northern Delaware
215-547-0332
1-888-848-6226

Garfield, NJ
New Jersey
New York
973-777-3363
1-888-853-1222

Wallingford, CT
Connecticut
Massachusetts
The Northeast
203-265-3995
1-866-302-2014